

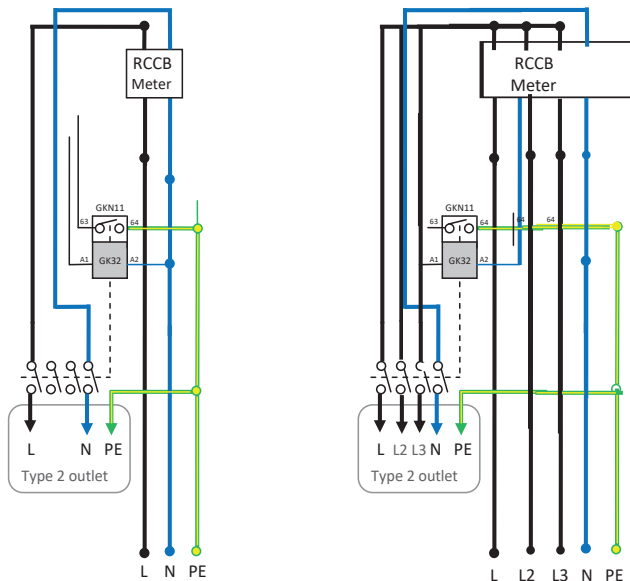


ENTITY Chargers

Type: EPCSO00332SIGI



| | |
|---------------------------|--------------------------------------|
| Charging Mode | Mode 3 |
| Socket or Tethered Lead | Socket (type 11) |
| AC Output Current (A) | 6,10,16,20,25,32 |
| Power outlet [kW] | 3.7KW,7.4KW, 11KW, 22KW |
| Rated voltage [V AC] | 230 / 400 |
| Frequency [Hz] | 50 |
| Temperature range [C] | -25...+40 |
| Degree of protection (IP) | 54 |
| Weight(KG) | 4.2 |
| Location | Wall or Stand |
| DC Monitoring | Standard |
| Load management | Standard with ext. sensor |
| Meter | Standard |
| Auto Phase rotation | Standard |
| Communication | 4G, Dual LAN, Mesh WiFi |
| RFID | Standard |
| Protocol | OCPP1.5 / 1.6 |
| Certification | EN 61851-1, IEC 61439-7 ISO 15118 |





| | | |
|---|---------|---------------------------|
| Dokument/document | | Utgåva datum/edition date |
| Försäkran om överensstämmelse/ Declaration of conformity | | 2023-04-13 |
| Avdelning/department | | |
| Produkt/Product | | |
| Ansvarig/prepared | Version | Sida/page |
| Peter Magnusson | 5 | 1 av/of 1 |

Manufacturer/Tillverkare: GARO AB
Box 203
S-335 25 GNOSJÖ
Sweden

Telephone: +46 (0)370 33 28 00
Internet: www.garo.se

IRL Address: Unit 18 & 19/307, Northwest Business Park, Ballycoolin, Dublin 15, D15 AV81

Agent of equipment/Materielslag: Electric Charging Station for EV with Radio Equipment/Laddstation för elbil med tillhörande radio utrustning

Trade Mark/Varumärke: GARO

Type Designation/Typbeteckning: ENTITY EPC... serie

We hereby declare under our sole responsibility that our product fulfils the requirements of following EC directives/

Vi intygar härmed under vårt ensamma ansvar att vår produkt uppfyller krav enligt följande EU direktiv:

- The Low Voltage Directive (LVD) 2014/35/EU / Lågspänningsdirektivet (LVD) 2014/35/EU.
- Electromagnetic compatibility (EMC) 2014/30/EU / Elektromagnetisk kompatibilitet (EMC) 2014/30/EU.
- Radio Equipment Directive 2014/53/EU (RED) / Radiodirektivet (RED) 2014/53/EU.
- RoHS Directive (RoHS) 2011/65/EU / RoHS direktivet (RoHS) 2011/65/EU.
- The Electrical Equipment Safety Regulations 2016/UK / 2016 No 1101
- The Electromagnetic Compatibility Regulations 2016/UK / 2016 No 1091
- The Restriction of the Use of Hazardous Substances in Electrical and Electronic Equipment Regulations 2012/UK / 2012 No 3032

The following harmonised standards (latest edition) or technical specifications which comply with good engineering practice in safety matters in force within the EU/UK have been used in the design:/

Följande harmoniserade standarder (senaste utgåva) eller tekniska specifikationer som uppfyller god säkerhetsteknik praxis inom EU/UK har använts i konstruktionen:

EN IEC 61851-1:2019
IEC/TS 61439-7:2020
EN 62311:2020
IEC 62955:2018
EN 60898-1
EN 61008-1

IEC 61851-21-2:2018 Other than residential environments
IEC 61000-6-3:2006/A1:2010
IEC 61000-6-2:2005
ETSI EN 301 489-17 V3.2.4
ETSI EN 301 489-52 V1.1.2
ETSI EN 301 489-1 V2.2.3
ETSI EN 301 489-3 V2.1.2

GARO AB
Company/Företag


Sign/Underskrift

CTO
Position/Befattning

Bo Eriksson
Sign in printed letters/Namnförtydligande

Gnosjö 2023-03-25
Place Date/Ort Datum